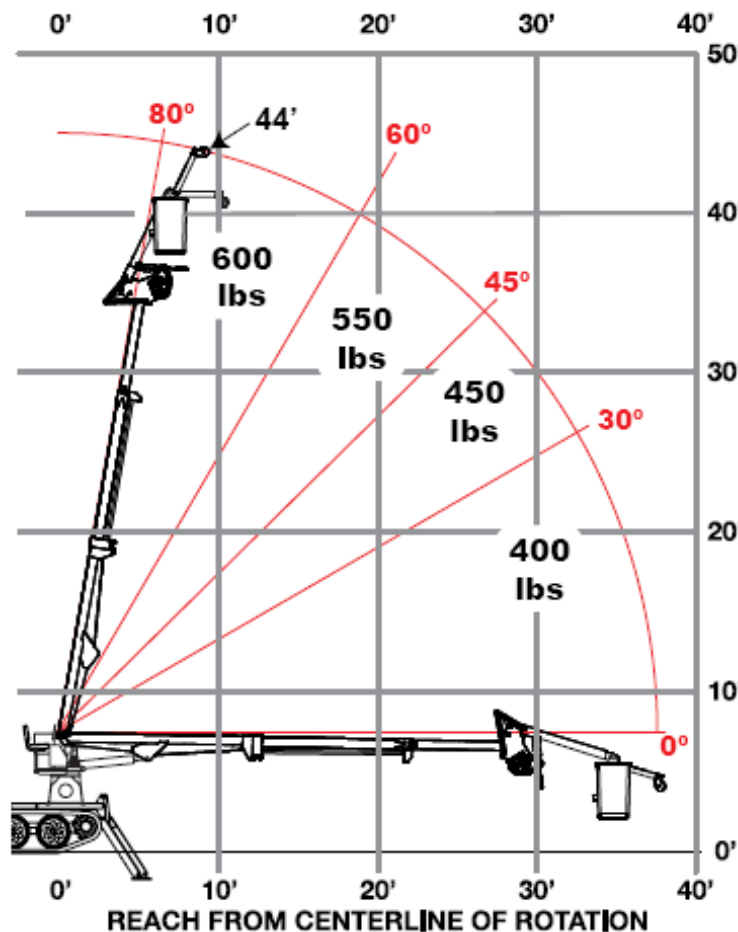


JIB OPERATIONS

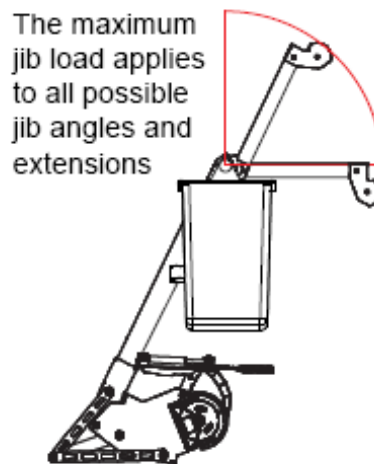
JIB LOAD CHART

JIB LOAD CAPACITY			
BOOM ANGLE	All Booms Collapsed	Only 2nd Boom Extended	2nd Boom and 4' of 3rd Boom Extended
0°	400 lbs	400 lbs	400 lbs
30°	450 lbs	450 lbs	450 lbs
45°	550 lbs	550 lbs	550 lbs
60°	600 lbs	600 lbs	600 lbs
80°	600 lbs	600 lbs	600 lbs



JIB LOAD/REACH CHART

- The maximum jib load is always determined by the boom angle.
- The jib load as indicated applies to all possible jib positions.
- The maximum attainable jib sheave height is 44'



DECK STORAGE

TOOL BOXES

A = Battery box

19" long

22" wide

11.5" deep

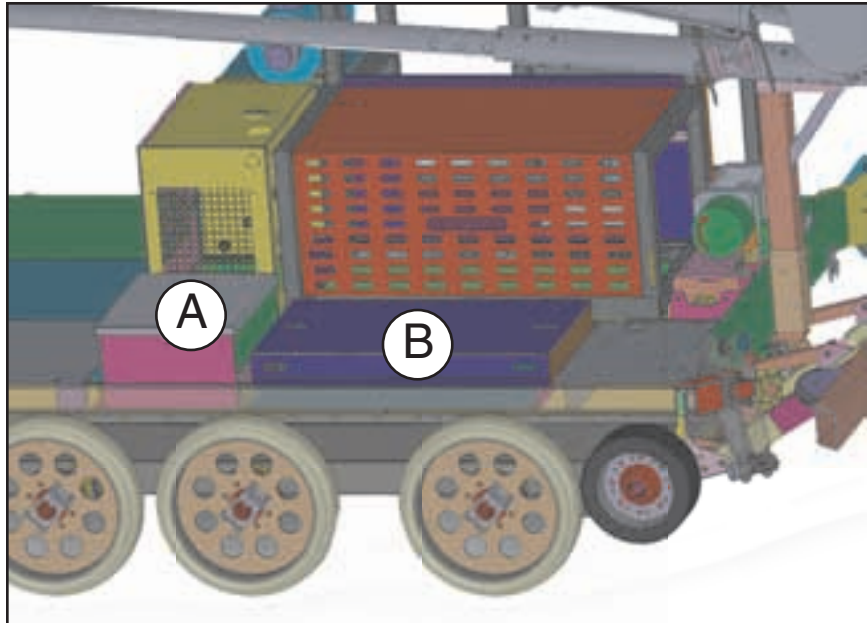
- When dual batteries are installed useable area is 19" long x 7" wide x 11.5" deep

B = Tool box

42.5" long

22" wide

8" deep



DECK AREA

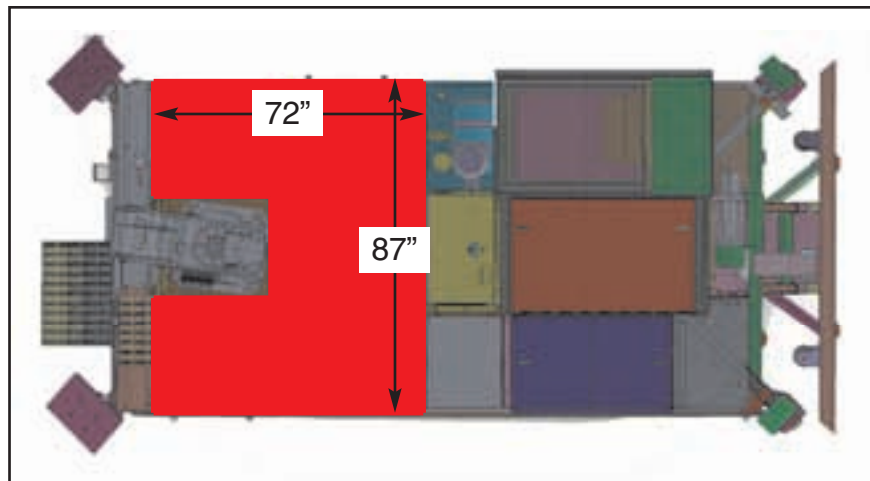
Outlined in red

72" long

87" wide

- Less 34" x 26" for tower base.

- Fitted with wood sides 9.5" high



Achiever RT-02 DD DOT Road Lighting Package



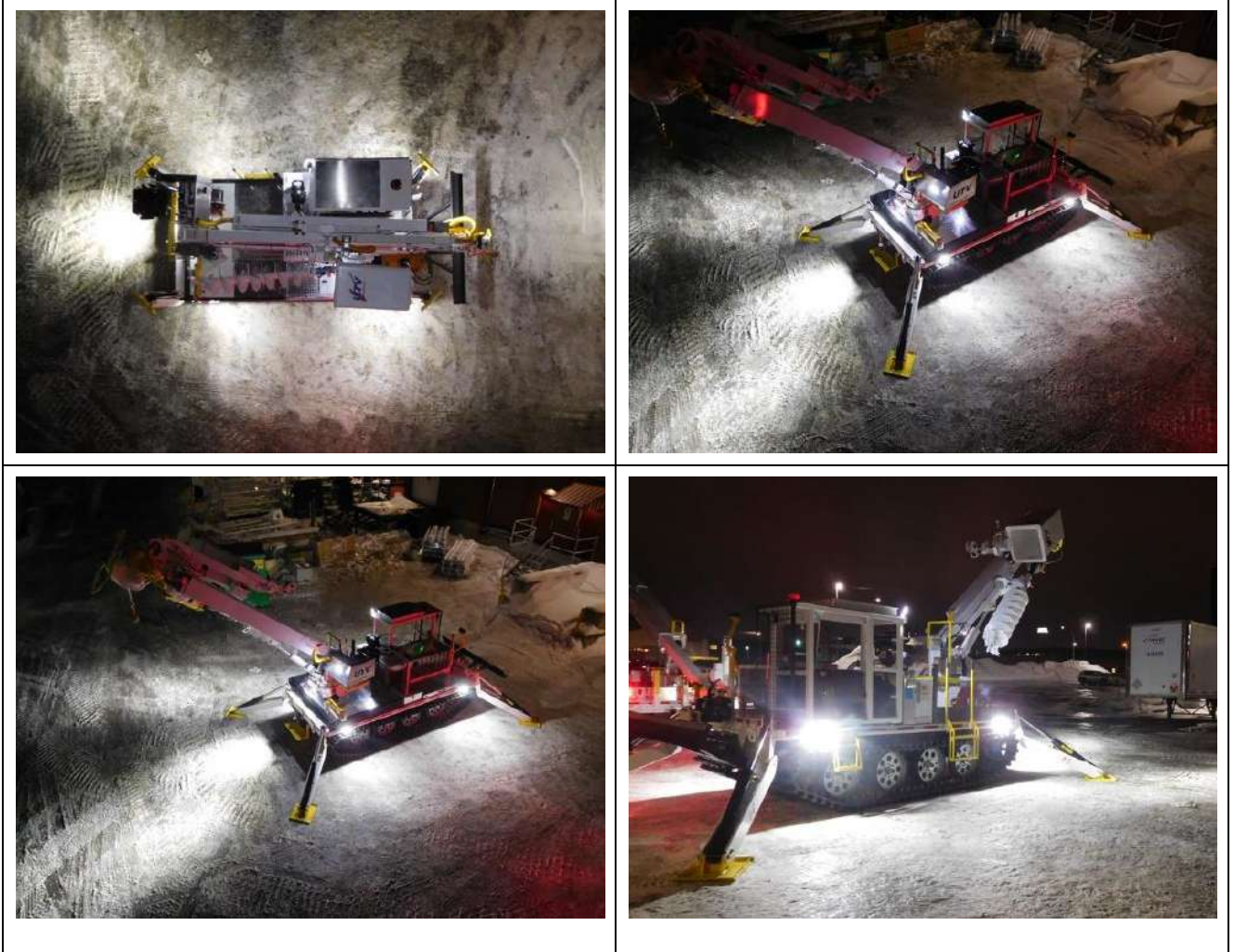
Below are photos of the DOT Lighting Package. The package consists of: 2x Front amber clearance & 2x directional lights 2x Rear red clearance & 2x turn signal lights 2x Rear stop/turn/tail lights 2x Reverse lights 2x Enclosures for rear tail/stop/turn and reverse lights 1x License plate bracket & 1x license plate light 1x Turn signal/hazard switch (requires special joystick holder) & 1x Flasher relay. Turn signals are slaved to the left & right track Joysticks.





Achiever RT-02 DD Around the Vehicle Ground Illumination

4 LED surface mounted ground lights on the sub frame near the corners with a 40° down-angle. Provides around the vehicle ground lighting for a safer working environment by making hazards such as holes, ridges, dropped items more visible.



Achiever RT-02 DD Anchor Tooling Options



Anchor Adaptor



1 and a Half Inch Anchor Tool Drive

UTV Achiever Digger Derrick Parts Manual - specification

OPTION - Tie Downs, 2 x Flush Mount in Rear, 2 x on Posts

SF006

