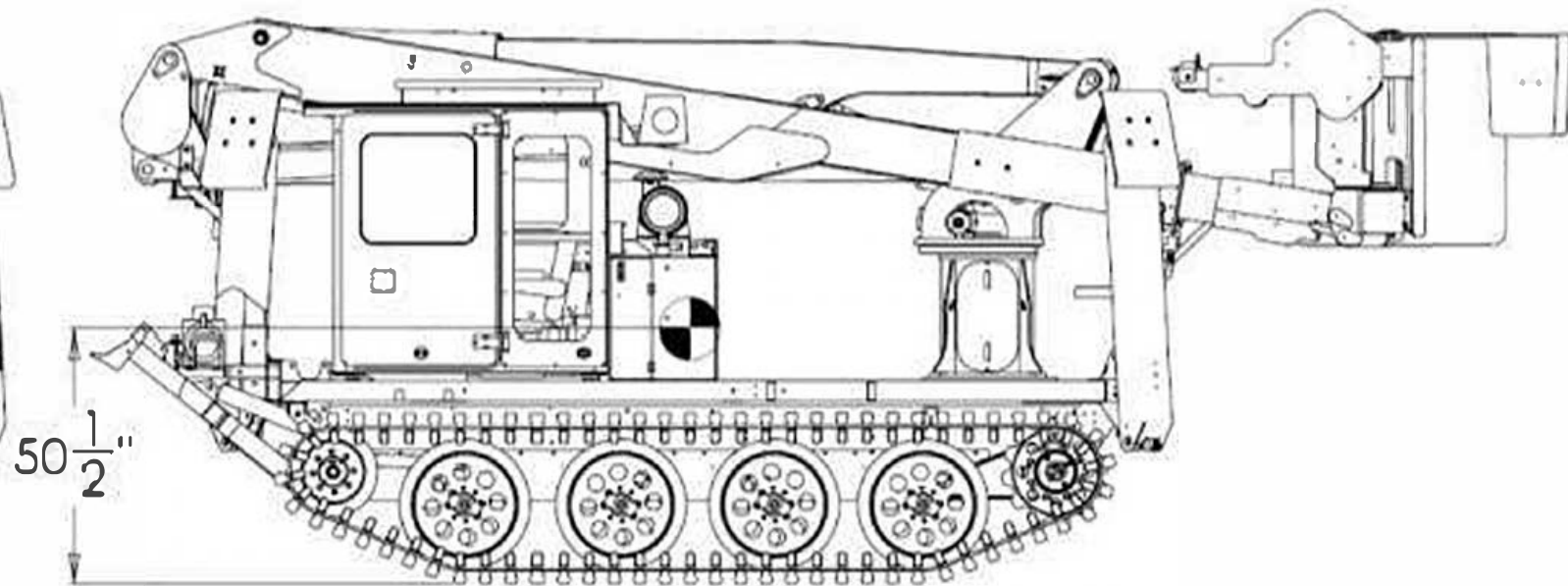
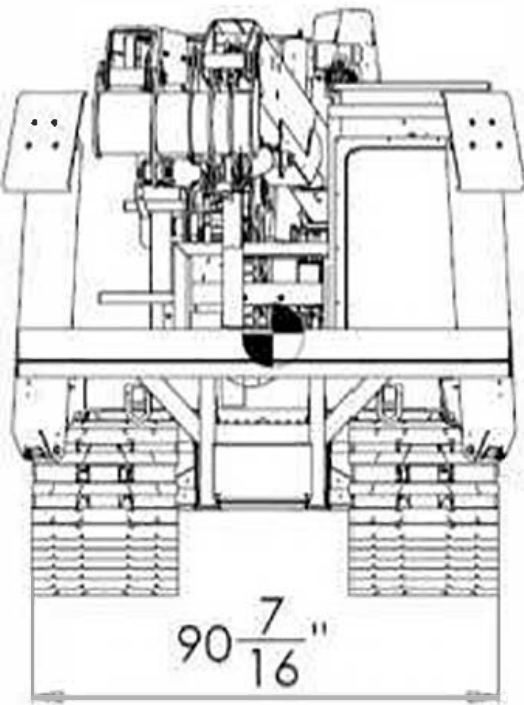
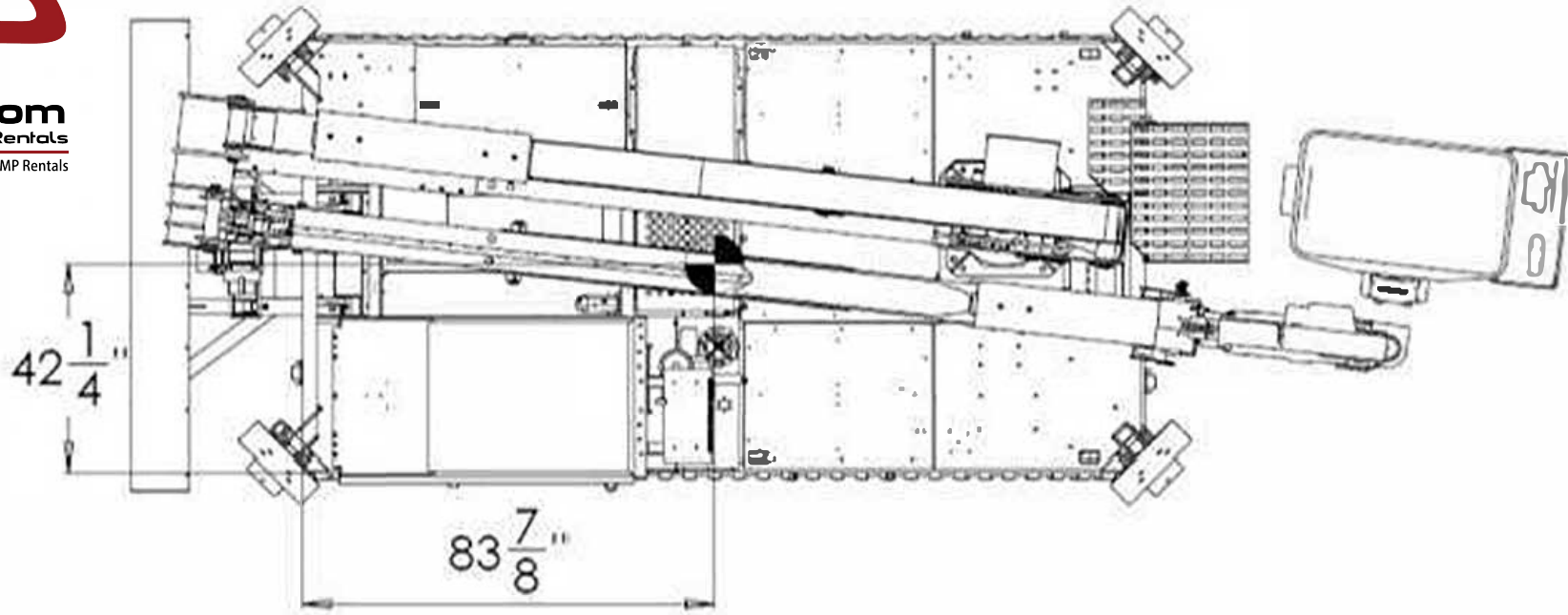




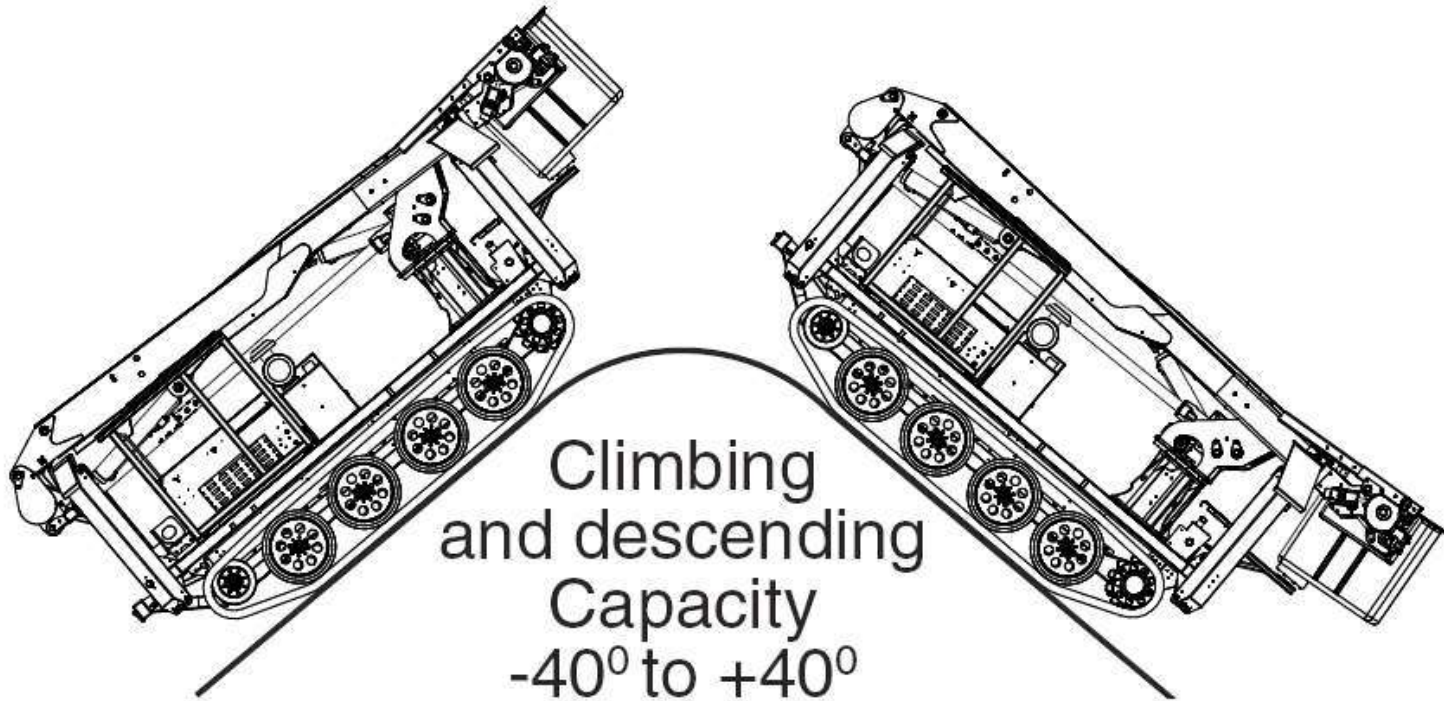
www.AMPrents.com
Overhead Utility Equipment Sales and Rentals

AMP Sales & Service, LLC dba AMP Rentals



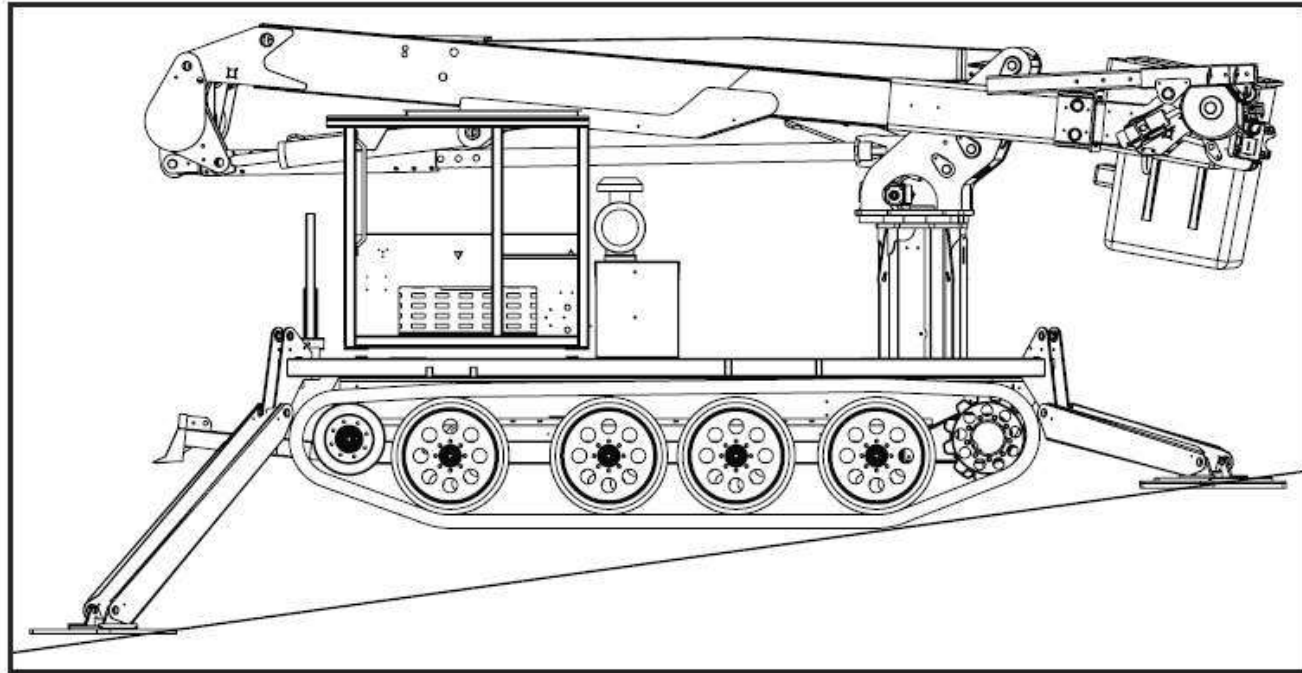
NOTE:
THE C.G. HAS BEEN MEASURED USING CLOSED CAB
& DPM2-52DU BOOM.

ACHIEVER
DPM-52 TRACKED AERIAL



AMP
Overhead Utility Equipment
Sales and Rentals

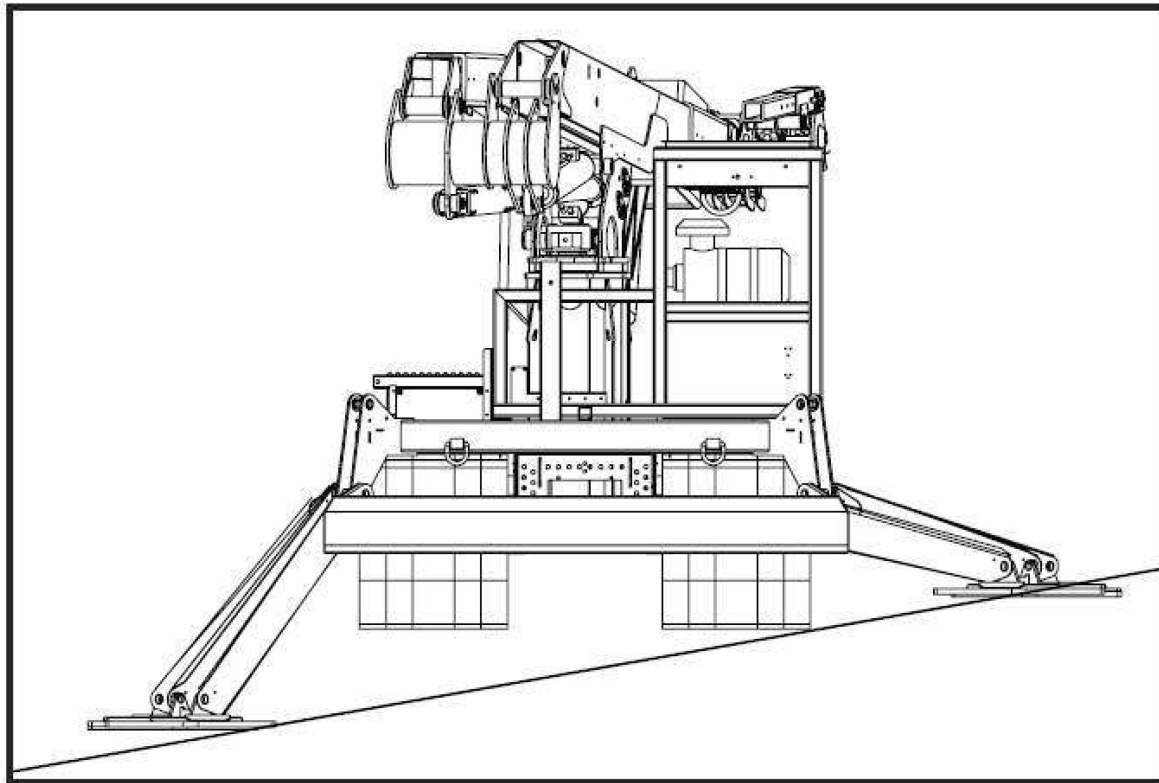
ACHIEVER
DPM-52 TRACKED AERIAL



**YOU CAN LEVEL THE VEHICLE
ON A
8° FRONT/REAR SLOPE**

AMP
Overhead Utility Equipment
Sales and Rentals

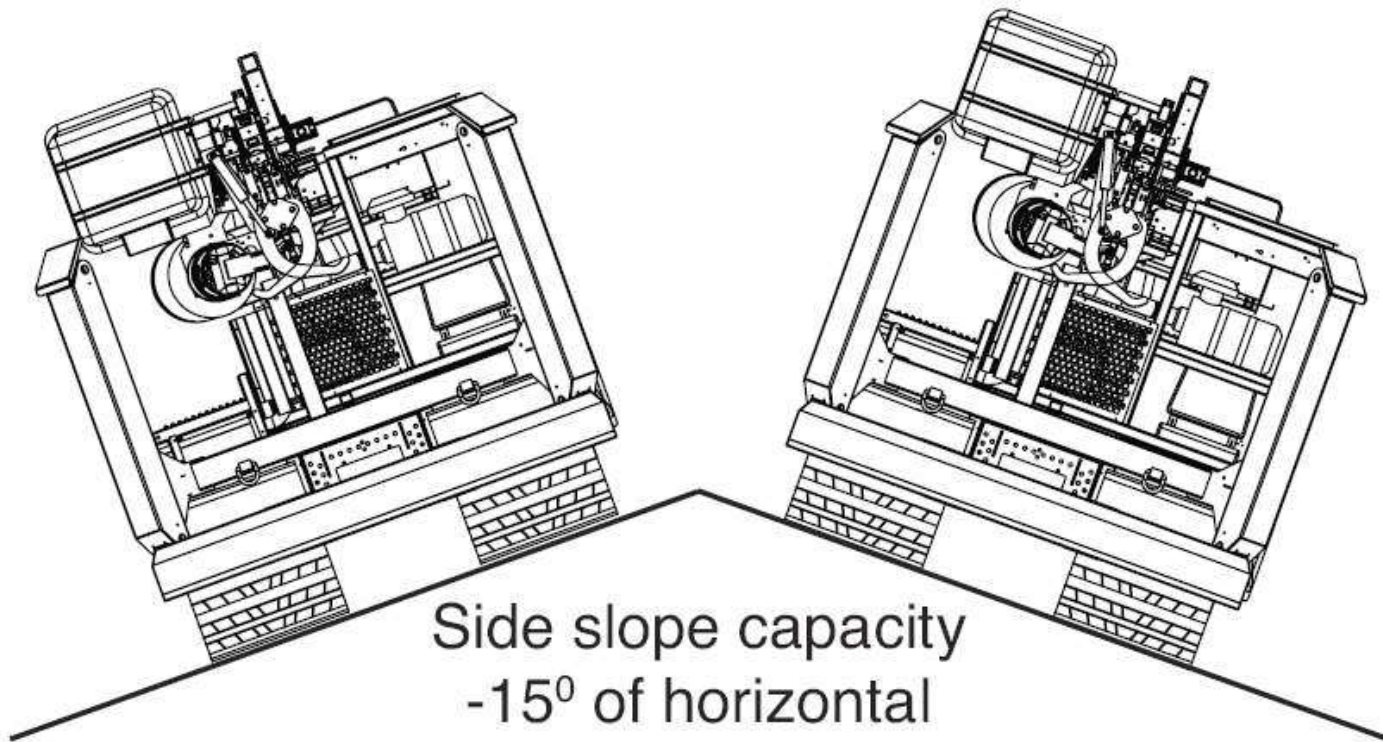
ACHIEVER
DPM-52 TRACKED AERIAL



**YOU CAN LEVEL THE VEHICLE
ON A 10° SIDE SLOPE**

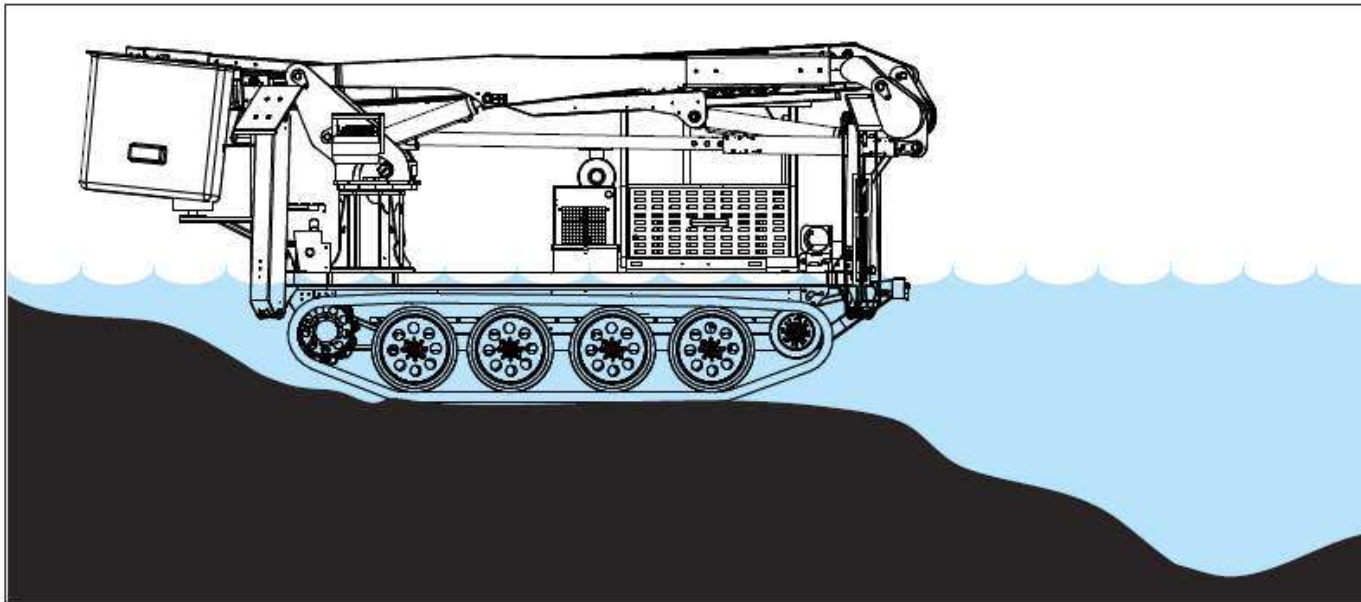
AMP
Overhead Utility Equipment
Sales and Rentals

ACHIEVER
DPM-52 TRACKED AERIAL



Side slope capacity
-15° of horizontal

ACHIEVER
DPM-52 TRACKED AERIAL



- 36" Maximum depth

DECK STORAGE

TOOL BOXES

A = Battery box

19" long

22" wide

11.5" deep

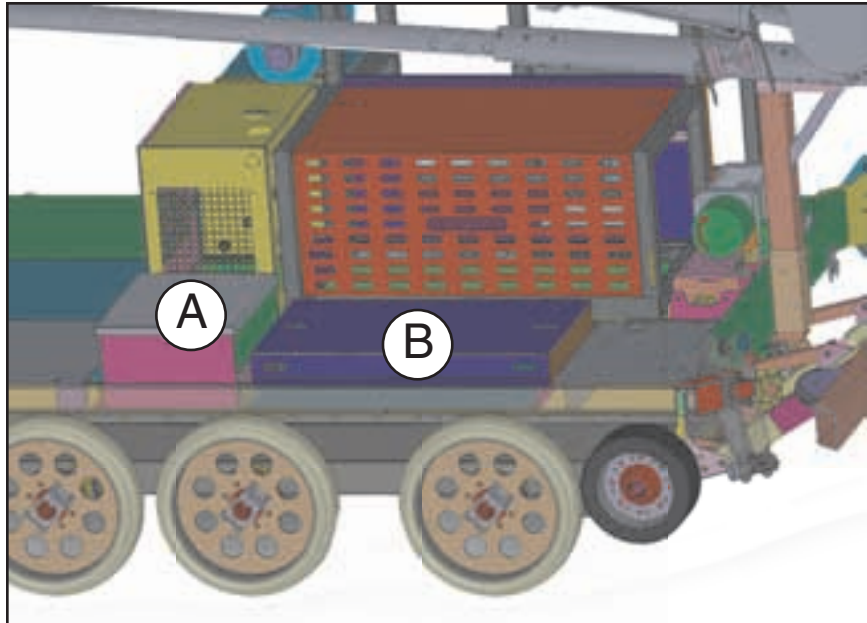
- When dual batteries are installed useable area is 19" long x 7" wide x 11.5" deep

B = Tool box

42.5" long

22" wide

8" deep



DECK AREA

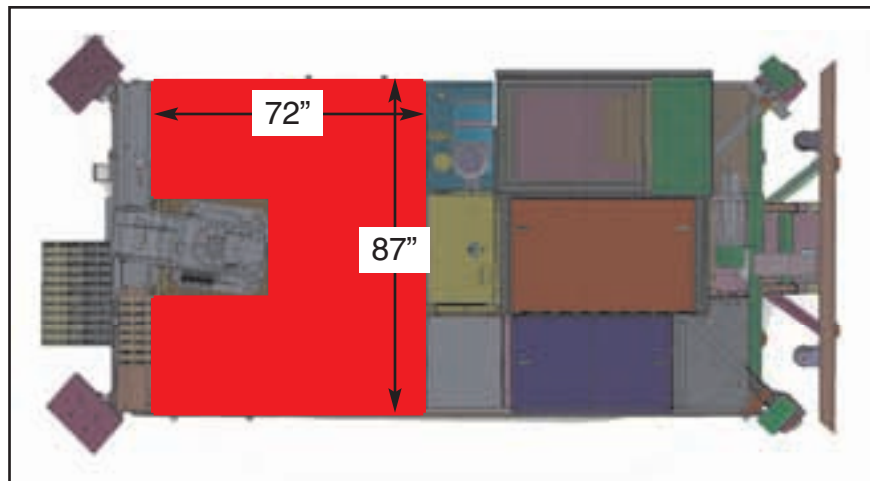
Outlined in red

72" long

87" wide

- Less 34" x 26" for tower base.

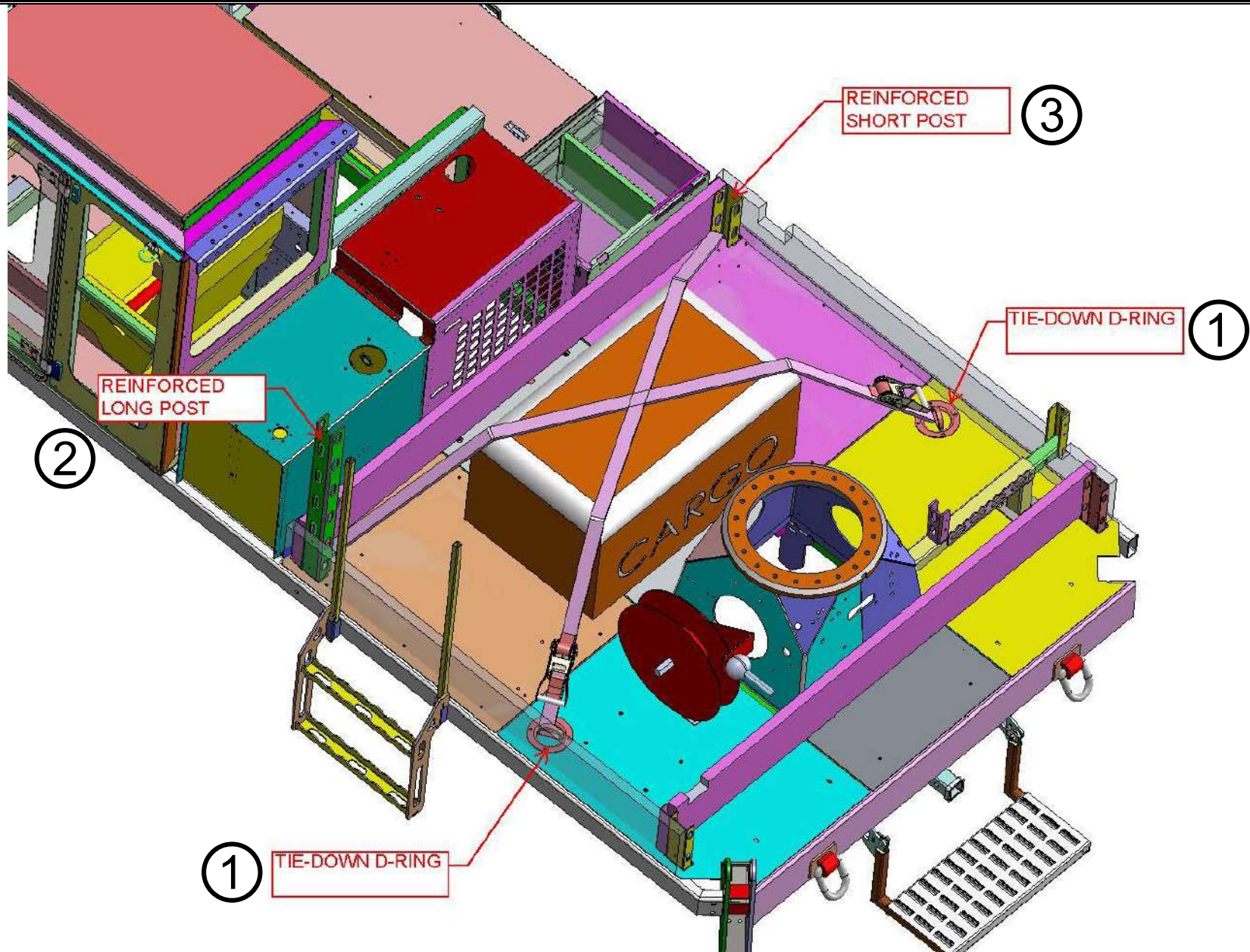
- Fitted with wood sides 9.5" high



Achiever Digger Derrick Parts Manual - specification

OPTION – Tie Downs, 2 x Flush Mount in Rear, 2 x on Posts

SF006



Achiever DPM(2)-52 D.O.T. Road Lighting



Front Outriggers: Amber Clearance & Turn Signal Lights



**Rear Stop/Turn/Tail Lights, Reverse Lights
Both Sides**



**Rear Outriggers: Red Clearance
& Turn Signal Lights**

Achiever RT-02 DD Around the Vehicle Ground Illumination

4 LED surface mounted ground lights on the sub frame near the corners with a 40° down-angle. Provides around the vehicle ground lighting for a safer working environment by making hazards such as holes, ridges, dropped items more visible.

